

# AVA

## A16 Double Flanged Butterfly Valve

Valve Size: 2 - 48 inches (50-1200mm)

Pressure Ratings: 16 bar



# TECHNICAL SPECIFICATIONS

## A16 double flanged DIMENSIONS

Size		A	B	C	D	E	F	G	H	NP16				Top Mounting Flange			Weights Kg
ins	mm									J-PCD	K-No. of Holes	Holes Dia.	Bolts Size	ISO 5211	No. of Holes	Holes Dia.	
2	50	70	165	130	108	65	32	14	10	125	4	18	M16	F05	4	7	8
2.5	65	76	185	145	112	65	32	14	10	145	4	18	M16	F05	4	7	10
3	80	89	200	155	114	65	32	14	10	160	8	18	M16	F05	4	7	11
4	100	104	220	170	127	90	32	16	11	180	8	18	M16	F07	4	10	14
5	125	120	250	190	140	90	32	19	13	210	8	18	M16	F07	4	10	18
6	150	132	285	210	140	90	32	19	13	240	8	22	M20	F07	4	10	22
8	200	170	340	243	152	125	32	22	16	295	12	22	M20	F10	4	12	32
10	250	198	405	282	165	125	50	30	22	355	12	26	M24	F10	4	12	45
12	300	223	460	310	178	150	50	30	22	410	12	26	M24	F12	4	14	58
14	350	279	520	345	190	150	51	35	10x10	470	16	26	M24	F12	4	14	82
16	400	300	580	377	216	175	51	35	10x10	525	16	30	M27	F14	4	18	106
18	450	345	640	375	222	175	64	50	10x12	585	20	30	M27	F14	4	18	147
20	500	355	715	430	229	210	64	50	10x12	650	20	33	M30	F16	4	22	165
24	600	410	840	500	267	210	102	64	16x16	770	20	36	M33	F16	4	22	235
28	700	478	910	560	292	300	102	64	16x16	840	24	36	M33	F25	8	18	338
32	800	529	1025	620	318	300	102	76	19x19	950	24	39	M36	F25	8	18	475
36	900	584	1125	665	330	300	133	89	22x16	1050	28	39	M36	F25	8	18	595
40	1000	657	1255	735	410	350	133	102	25x19	1160	28	36	M33	F30	8	22	794
48	1200	799	1485	917	470	350	152	127	32x22	1390	32	48	M45	F30	8	22	1290

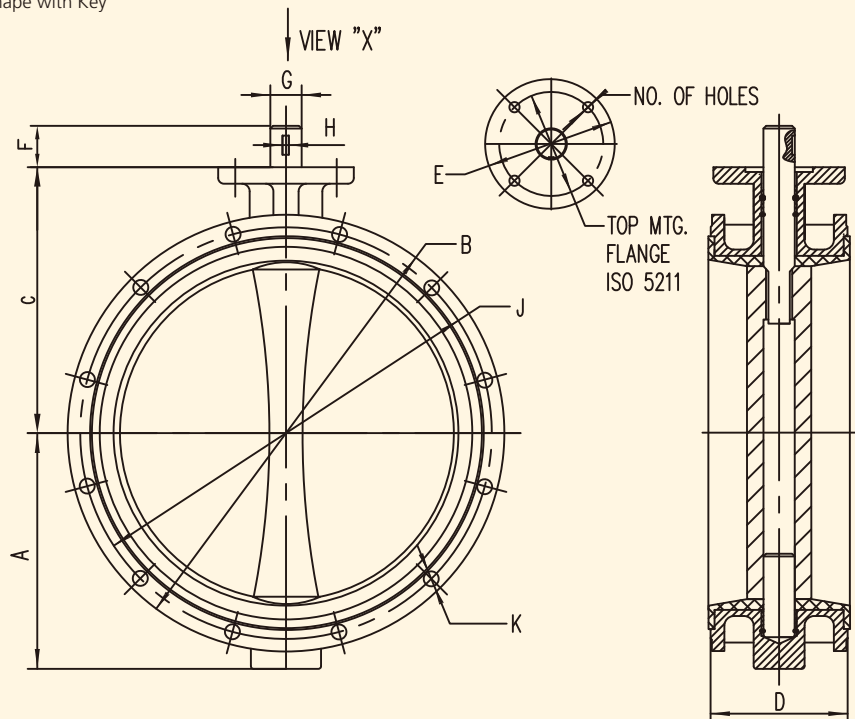
Stem: DN50-DN300 Double D shape/ Dn350-DN1200 Round shape with Key

### Materials Selection

- BODY : Cast Iron  
Ductile Iron
- DISC : Nylon Coated Ductile Iron  
304 Stainless Steel  
316 Stainless Steel  
Aluminum Bronze
- STEM : 416 Stainless Steel
- SEAT : EPDM  
NBR

The data presented in this bulletin is for general use only.

Consult AVA Controls representatives or factory for the specific performance data and material selection for your particular applications.



DISTRIBUTOR